



SERVICE LETTER No. L 126

DATE: December 10, 2020

TO: AYJET ANADOLU YILDIZLARI HAVA TASIMACILIGI VE UCUS EGITIM HIZMETLERI A.S., TURKEY

MODEL AFFECTED: Z 242 L aircraft, S/N: 0836, TC-CEL

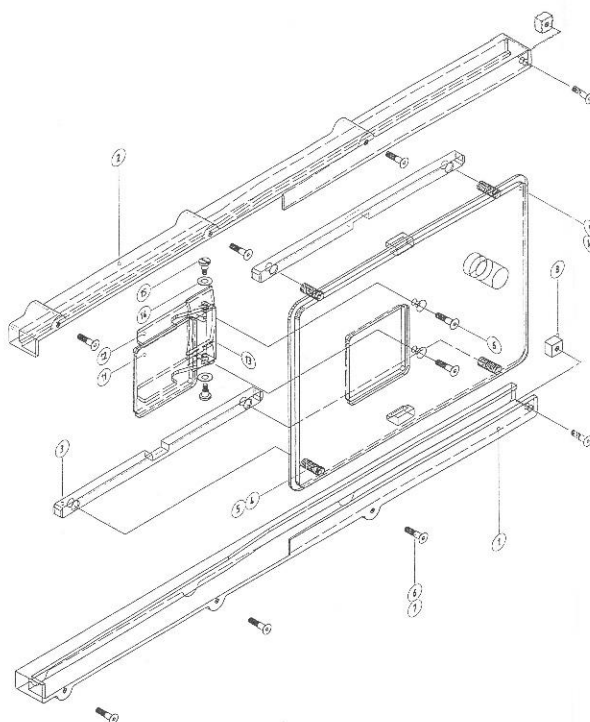
SUBJECT: Replacement of the polyamide screws on the ventilation window of the sliding canopy with a stainless steel screws.

Perform the replacement all existing polyamide screw M3x10, DIN 963 (*code article 311000000638*) on the ventilation windows with a new stainless steel screws (*code article 466000121003*).

The screw replacement (item No. 6) perform according to the below mentioned Figure.

Select the appropriate torque moment so that the glass does not crack. Tighten the screws evenly.

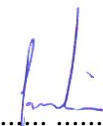
CAUTION: When the tightening the screws use extreme caution!






15	2	Fitting bolt M3,5 special	63000035	Brass nickel-plated	
14	2	Wave spring washer	63000137 (DIN 137 Form B M4)	Stainless steel	
13	1	Block	35800067	PMMA	
12	1	Swing arm	35800068	PMMA	
11	1	Flap window	35800069	PMMA	
10		Use stencil		drawing enclosed	
9 x	1	Window specific	91000 100 see note!	PMMA	
9	1	Window with recess	35800101	-	
8	2	Stopblock	35800003	Aluminum anodized	
7	10	Use stencil !!		-	
		Conical countersunk \varnothing 6 from outside			
6	12	Countersunk screw stainless	DIN M3x10 63000023	stainless steel	
5		Glued into window		-	
4	4	Spring	63000022	stainless steel	
3	2	Sliding part	63000121	PC	
2	1	Rail 2 top	63000120	PC	
1	1	Rail 1 bottom	63000119	PC	
Pos.	EDV-Nr.	Quantity	Description 1	Norm/Supplier 1	Material 1
			Description 2	Norm/Supplier 2	Material 2

Elaborated:


.....
Lubomír Januška

Head of Documentation and Normalization Dpt.

Approved:


.....
Prof. Ing. Antonín Pištěk, CSc.
Head of Office of Airworthiness