



SERVICE LETTER No. L 127

DATE: March 3, 2021

TO: Fliegerschule Birrfeld, Switzerland

MODEL AFFECTED: Z 242 L aircraft, S/N: 0840, HB-TZL

SUBJECT: Installation of SLICK START BOOSTER.

In order to improve the starting efficiency of the aircraft, the aircraft manufacturer recommends the installation start booster unit with P/N SS1001 from Champion Aerospace Inc. as an auxiliary unit of Lycoming AEIO-390-A1A6 engine according to Drwg. No. L242.6920-01.00.

SLICK Start Magneto Booster Model SS1001 is approved by FAA under STC No. 5A593CH and related SLICK Service Letter No. SL2-96. (*see Enclosure of this Service Letter*).

PROCEDURE: If necessary, proceed as follows:

1. Order the installation of the "Magneto Slick Start Booster" from the aircraft manufacturer according to order code L24269200100000
2. According to Fig. No 1 mount the SLICK START BOOSTER on the firewall on the supplied console Drwg. No. L242.6920-01.01.
3. Perform the electrical connection according to the Figure No. 2.

NOTE:

Detailed instructions about SLICK START BOOSTER assembly are described in the Champion Aerospace LLC. Service Letter No. SL2-96.

4. Note this performed installation into the Aircraft Log Book.

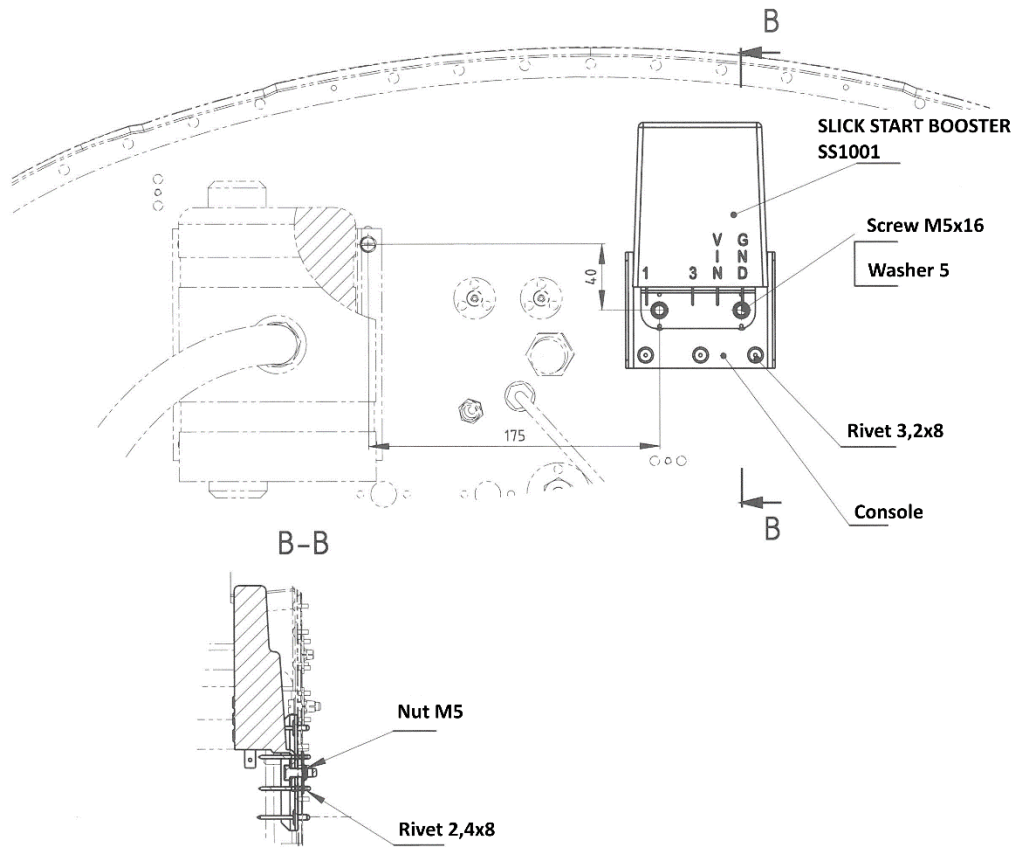


Fig. No. 1

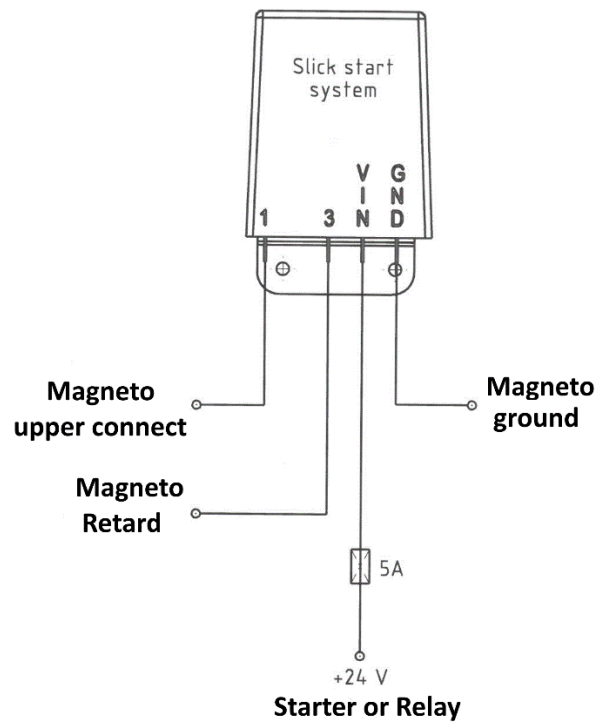


Fig. No. 2



NOTE:

Installation of SLICK START BOOSTER acc. To Drwg. No. L242.6920-01.00 includes:

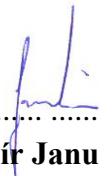
Item	Designation	P/N	Pcs
1	Console	L242.6920-01.01	1
3	Magneto SLICK START..	SS1001	1
5	Screw M5x16	ČSN 02 1103.24	2
6	Washer 5	DIN 125-1A	2
7	Nut M5	LN 29 679	2
10	Rivet 3,2x8	ČSN 02 2391	6
11	Rivet 2,4x8	ČSN 02 2391	4
-	Protective spiral 10x1500	NM0 270 100 010	1m
-	Plastic hose 6x0,5	ONL 2460	1m
-	Plastic hose 3x0,3	ONL 2460	1m
-	Socket	5-160432-4	4
-	Cable eye	K12M5K1	3
-	Shrinkable tube 3,2/1,6	-	0,6m
-	Strip 190x4,8	-	15

ENCLOSURE:

SLICK Service Letter No. SL2-96 (34 pages) *

* includes the FAA Approval No. STC 5A593CH

Elaborated:


.....
Lubomír Januška

Head of Documentation and Normalization Dpt.

Approved:


.....

Prof. Ing. Antonín Pištěk, CSc.

Head of Office of Airworthiness