



SERVICE LETTER No. L 128

DATE: February 8, 2021

TO: University of Tromsø School of Aviation, Norway

MODEL AFFECTED: Z 242 L aircraft, S/N: 0837, 0838, 0839

SUBJECT: Hose protection in aircraft operation in winter condition

Because above stated Z242L aircraft are operated in extreme cold conditions during winter periods, in order to prevent possible freezing oil vent lines, we permit below described modifications of aircraft oil system.

These modifications have been proposed by technicians of the aircraft operator. Modifications shall be performed with the help of material and parts equivalent to original design and/or approved for General Aviation aircraft.

Modifications applicable for S/N 0837, 0838, 0839

Replace original rubber hose between the air oil separator and the metal breather tube with hose material Stratoflex 193-10 (or equivalent). On this hose, in accordance with Fig. 1 below, make a 50 mm slice beginning 25 mm from the end of the fitting coming out of the air oil separator using a razor knife. The slice shall be orientated at the top of the hose in the direction of flow through the hose.

An insulation cover (fire sleeve Stratoflex 2650-13 or equivalent) shall be installed on the metal breather tube.

In addition to the slice in the flexible hose, drill a 5mm hole in the metal breather tube approximately 10mm above the upper clamp attaching the breather tube to the exhaust silencer and then use a 5mm diameter punch in order to internally offset the hole opening so that the flow of material inside the tube would be deflected towards the center of the tube instead of flowing out of the hole. The insulation cover (Stratoflex 2650-13 firesleeve) installed on the breather system metal tube coming from the air oil separator shall end above the 5mm hole so that it did not cover it.

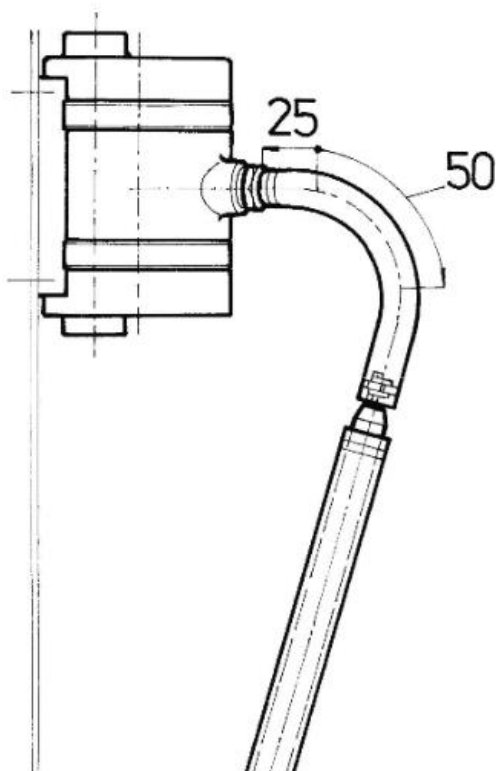
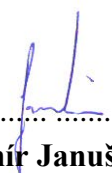


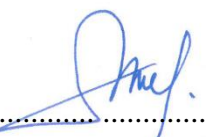
Fig. 1 - Oil breather line modifications for S/N 0837, 0838, 0839

Elaborated:


.....
Lubomír Januška

Head of Documentation and Normalization Dpt.

Approved:


.....

Prof. Ing. Antonín Píštěk, CSc.
Head of Office of Airworthiness