



SERVICE LETTER No. L 132

DATE: July 27, 2021

TO: Ministry of Defense of Hungary

MODEL AFFECTED: Z 242 L aircraft, S/N: 0844, 0845, 0846, 0847

SUBJECT: Corrective action to prevent hydraulic fluid leakage from the K 22-1200-7 brake.

Based on the potential brake fluid leakage from the brake during aircraft's operation, the aircraft manufacturer performed the design change in the brake assembly to prevent this situation.

The leakage of hydraulic brake fluid can occur around the lid K22-0200.10 (item 48), as a solution of this cause, the manufacturer replaced the rubber O ring acc. to ČSN 02 9281.2 (item 57) with a dimension 48x2 with a more suitable "O" ring MS 28 775-135 with a dimension 48x2,5.

This „O“ ring, in the K2-1200-7 brake assembly, has been fully tested by a company test facility in the range of the brake technical specification with **satisfactory** result.

TIME OF COMPLIANCE: Immediately after receipt of this letter order the new "O" sealing rings.

PROCEDURES:

- a) Disconnect the brake from the aircraft hydraulic system (blind the outlet to the brake line). Loosen fixing screws and remove the brake from the landing gear axle,
- b) Remove the pistons (53) as follows (*performer only in case of brake leakage*):
 - loosen the lids (48) of working cylinder and push out the piston (53),
- c) Instead of the original rings (57) insert new „O“ rings (*delivered by the aircraft manufacturer*),
- d) Before reassembling the brake, wash carefully all parts with a suitable degreaser, dry them by compressed air and grease all functional parts with a suitable greaser.



Reassemble the brake by following the abovementioned steps in reverse order.

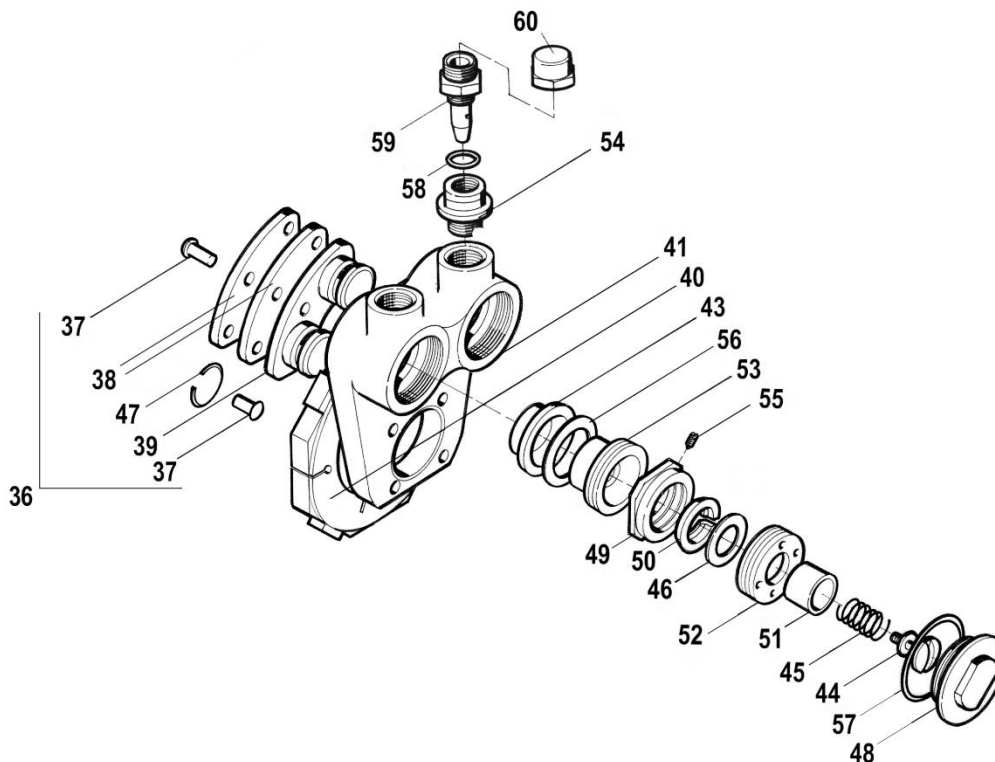


Fig. 1 The brake K22-1200-7 (positions numbers correspond to position numbers in IPC)

NECESSARY MATERIAL: a) Based on the order, the manufacturer deliver:
466991000048 "O" RING 48x2,5 MS 28 775-135


NOTE:

2 pcs are necessary for one brake, i.e. 4 pcs must be ordered for one aircraft.

ENCLOSURES:

-

Elaborated by:


.....

Lubomir Januška

Head of Documentation and Normalization Dept.

Approved by:


.....

Prof. Ing. Antonín Pištěk, CSc.

Head of Office of Airworthiness