



## SERVICE LETTER No. L 135

**DATE:** March 4, 2022

**TO:** Ministry of Defense of Bulgaria

**MODEL AFFECTED:** Z 242 L aircraft, S/N: 0852, 0853, 0854, 0855

**SUBJECT:** Corrective action of the aircraft manufacturer to prevent damage to the lower engine cover Drwg. No. Z242.6510-01.00

Based on operational experience, when the left exhaust tube is located close to the composite lower engine cover, the possibility of thermal influence of the lower engine cover through this tube is eliminated following corrective action.

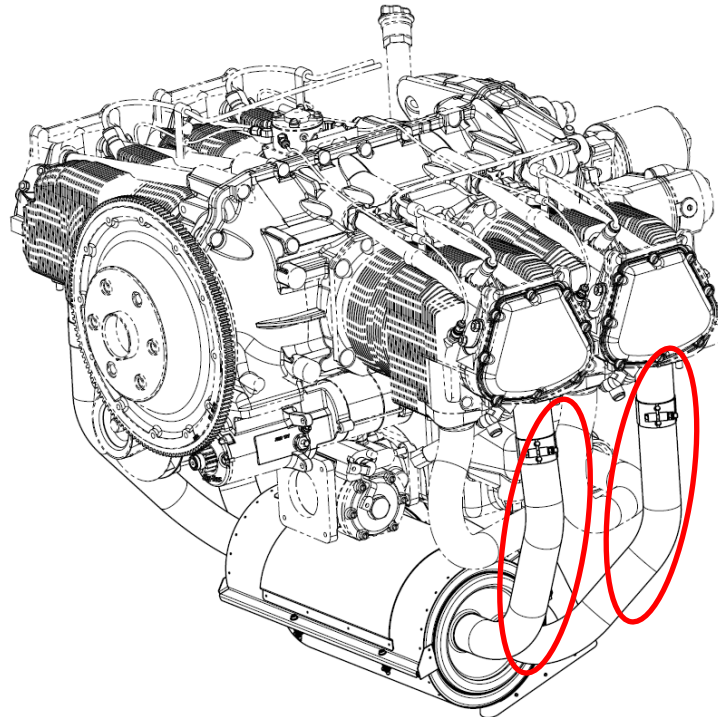
This corrective action consists in shortening the two tubes of the exhaust silencer Drwg. No. L242.6671-01.00G by 10 mm only on the left side of the exhaust at the point of division into the sleeve.

This increases the free space between the exhaust and the lower engine cover only on the left side.

**NOTE:**

The modification cannot be performed on right side of the exhaust, because on the right side there would be a collision with other engine parts.

The modified exhaust silencer has the designation Drwg. No. 990-527-00 and the total assembly of the modified exhaust silencer I is marked under Drwg. No. L242.6671E\_UPR.



*Fig. 1 Illustration of exhaust system with modified exhaust silencer I*

**TIME OF COMPLIANCE:**     **for S/N 0853** immediately after delivery of the necessary material for repair.  
                                  **for S/N 0852, 0854, 0855** after the aircraft operator's decision

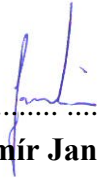
**PROCEDURES:**             Based on the operator's request, the aircraft manufacturer will supply a modified exhaust silencer with the designation Drwg. No. 990-527-00.  
                                  The aircraft operator will install a modified exhaust silencer.  
  
                                  Log this repair into the aircraft documentation.

**NECESSARY MATERIAL:**     --

**ENCLOSURES:**             New modified exhaust silencer (Drwg. No. 990-527-00)



Elaborated by:



.....

**Lubomír Januška**

Head of Documentation and Normalization Dept.

Approved by:



.....

**Prof. Ing. Antonín Píštěk, CSc.**

Head of Office of Airworthiness