



SERVICE LETTER No. L 140

DATE: August 12, 2022

TO: Ministry of Defense of Bulgaria

MODEL AFFECTED: Z 242 L aircraft, S/N: 0852, 0853, 0854, 0855

SUBJECT: Modification of fuel tank venting.

Aircraft manufacturer ZLIN AIRCRAFT a.s. made following modification of fuel tank venting:

Parts Fuel intake throat (*Drwg. No. L242.7232*) and Vent throat (*Drwg. No. L242.7233*) were connected using Hose (*Drwg. No. 990-528-00.02*).

Hose is routed through two holes by Hose guides (*Drwg. No. 990-528-00.01*) in middle of winglet's rib (*Drwg. No. Z242.2160-00.04*).

Hose is connected to fuel throats using clamp 5 ČSN 02 2752.04 and Strip 5 ČSN 02 2757.

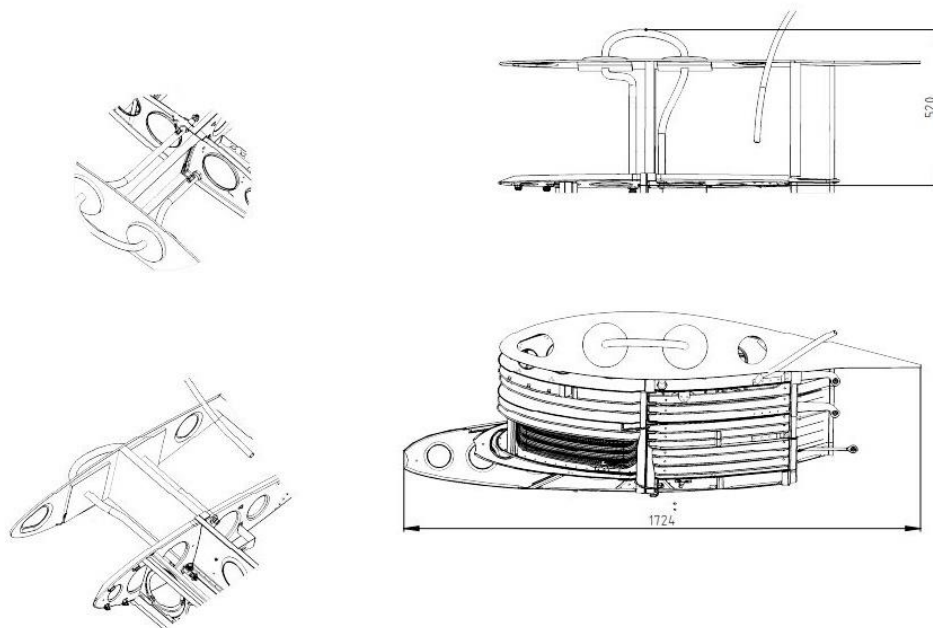


Fig. No. 1: Drawing of fuel tank venting assembly



TIME OF COMPLIANCE: Immediately after receipt of this Service Letter

PROCEDURES: Disassemble winglet (*Drwg. No. Z242.2160*).
Grease both ends of Hose (*Drwg. No. 990-528-00.02*) by vaseline.
Fix one end of Hose to Fuel intake throat (*Drwg. No. L242.7232*) by clamp 5 ČSN 02 2752.04 and Strip 5 ČSN 02 2757).
Stick Hose through one Hose guide (*Drwg. No. 990-528-00.01*) and insert Hose guide into winglet's rib (*Drwg. No. Z242.2160-00.04*) on corresponding side.
Pull the other end of Hose out of winglet's rib. Apply Hose guide on Hose and insert it into winglet's rib on the other side.
Fix second end of Hose to Vent throat (*Drwg. No. L242.7233*) by Clamp 5 and Strip 5.
Tighten both clamps 5 and reassemble winglet.

NECESSARY MATERIAL: *for one aircraft:*

Hose guide (<i>Drwg. No. 990-528-00.01</i>)	4 pcs
Hose (<i>Drwg. No. 990-528-00.02</i>)	3m
Clamp 5 ČSN 02 2752.04	4 pcs
Strip 5 ČSN 02 2757	1,5m

ENCLOSURES: Drawing No. 990-528

Elaborated by:


.....
Lubomír Januška

Head of Documentation and Normalization Dept.